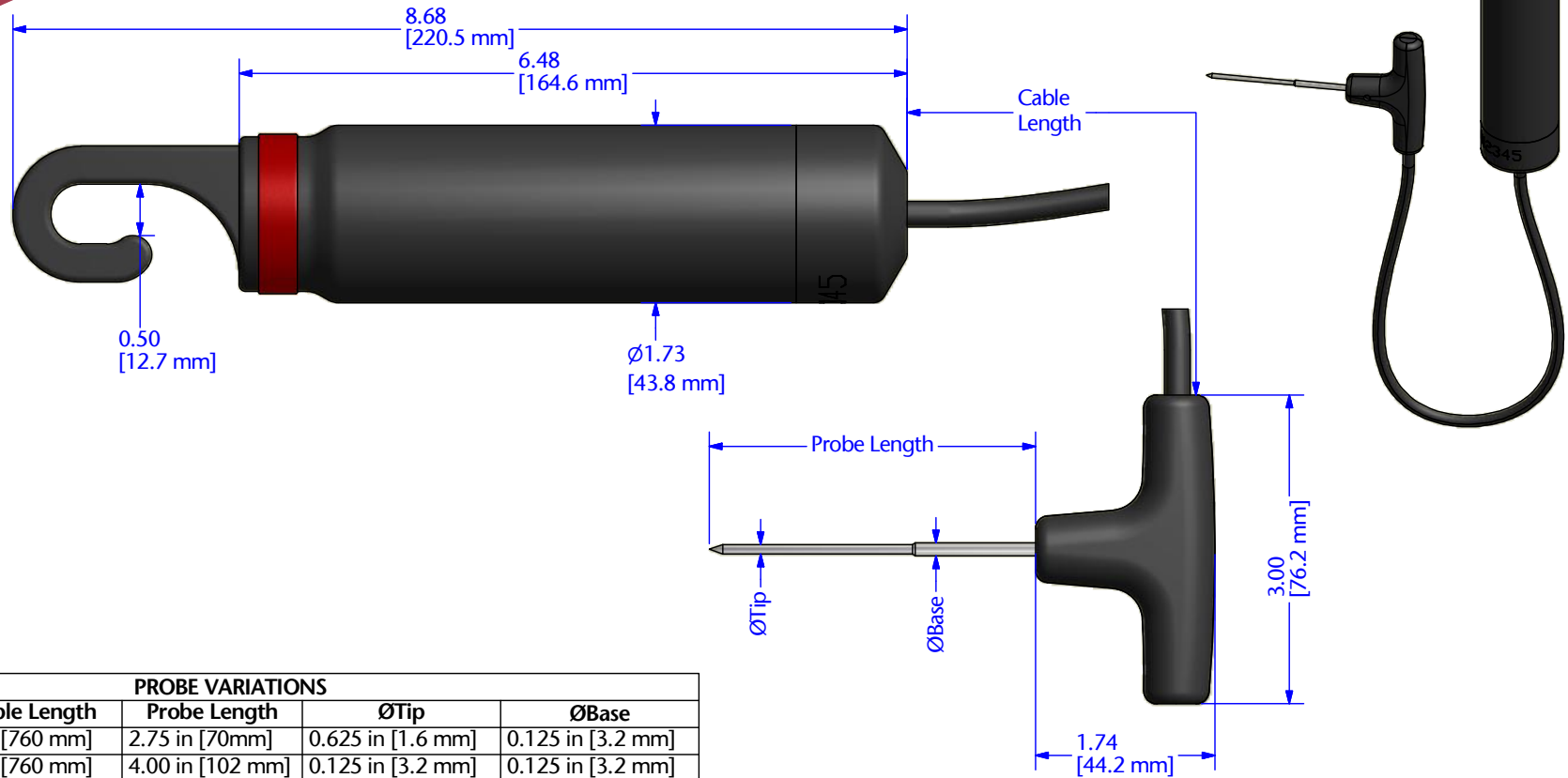


RFOT

Wireless Temperature Data Logger Dimension Drawing



PROBE VARIATIONS

Product Name	Cable Length	Probe Length	ØTip	ØBase
RFOT-SMP	30 in [760 mm]	2.75 in [70mm]	0.625 in [1.6 mm]	0.125 in [3.2 mm]
RFOT	30 in [760 mm]	4.00 in [102 mm]	0.125 in [3.2 mm]	0.125 in [3.2 mm]
n/a	30 in [760 mm]	6.00 in [152 mm]	0.188 in [4.8 mm]	0.188 in [4.8 mm]



Product:

RFOT

Scale:

n/a

Materials:

Acetal Copolymer
Silicone
Polyurethane

Notes: